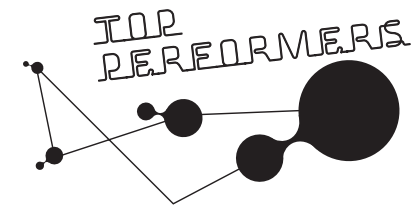
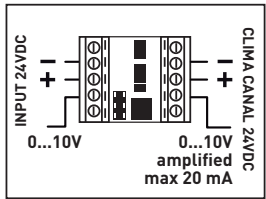
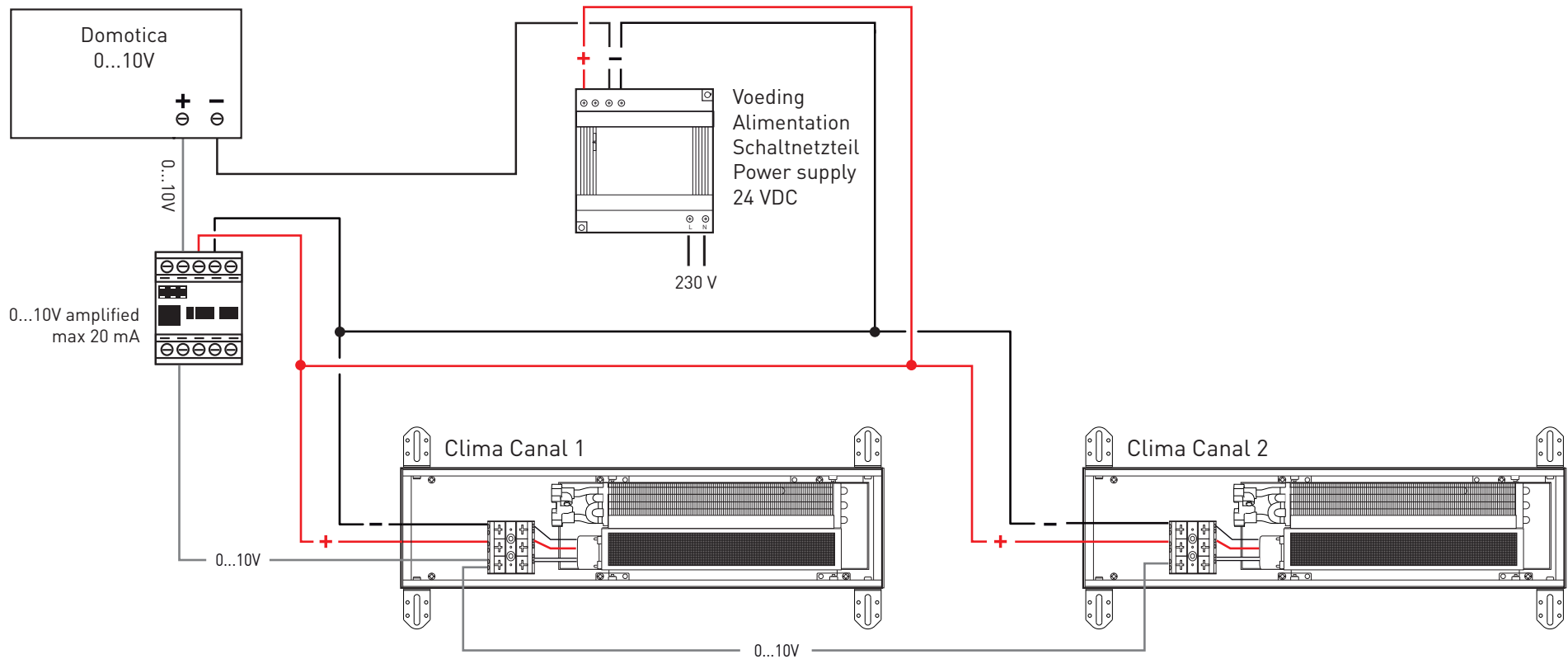


# Amplifier 0...10V via Domotica

Aansluiting / Connexion / Verbindung / Connection



0...10V Amplified\_Domotoca

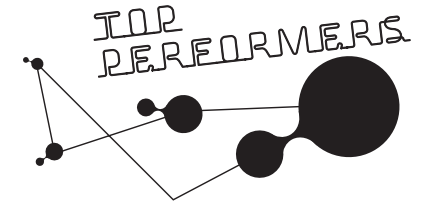


**!** 1 motor = 0,5mA.  
1 Amplifier = 20mA  
20mA = 40 motoren

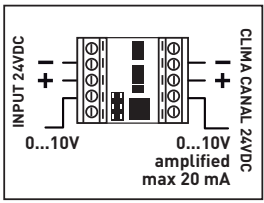
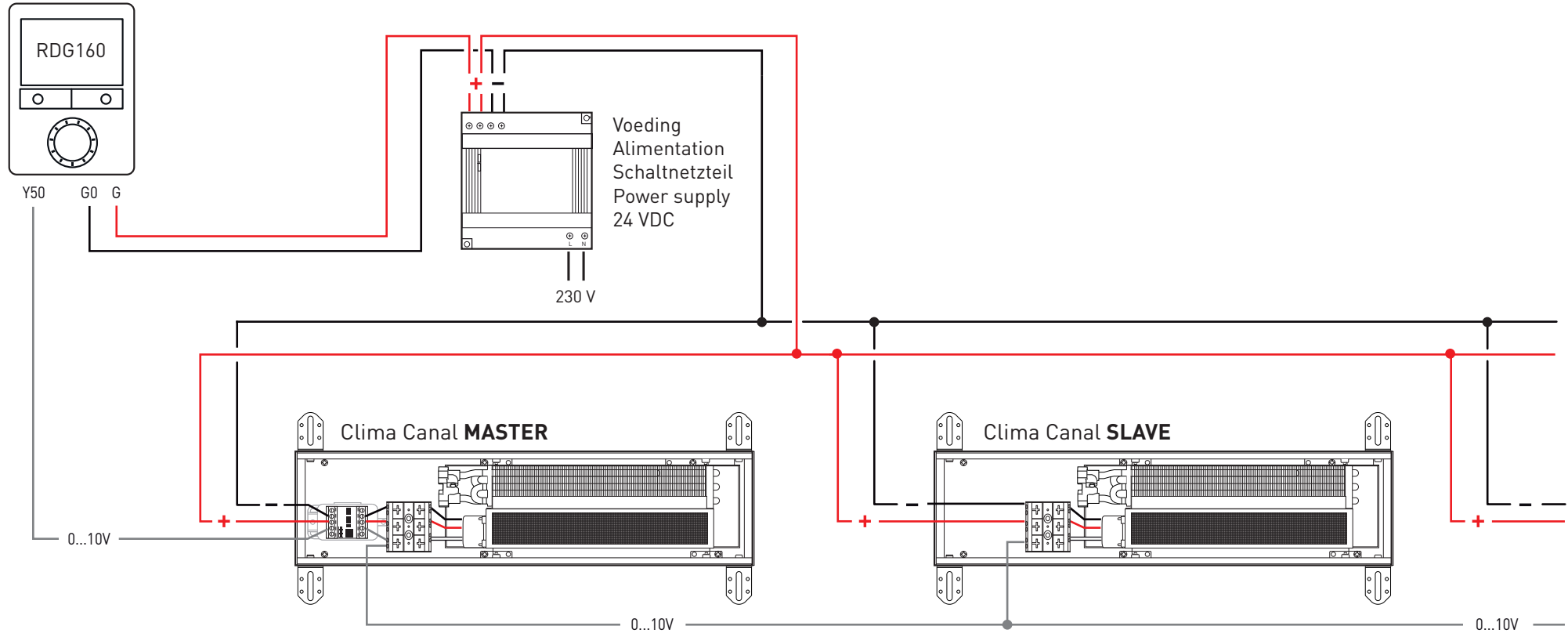


# Amplifier 0...10V via RDG160

Aansluiting / Connexion / Verbindung / Connection



0...10V Amplified\_via RDG160



1 motor = 0,5mA.  
 1 Amplifier = 20mA  
 20mA = 40 motoren